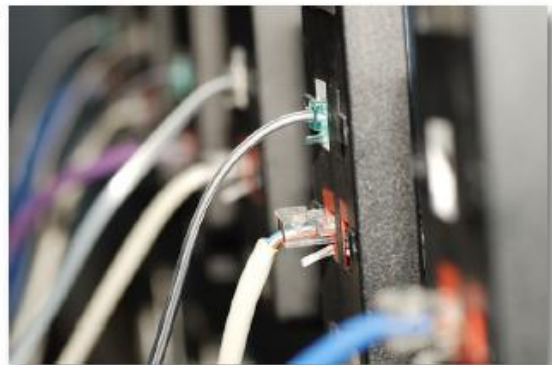


Cisco Compatible Fax with NET SatisFAXtion IP

The demand for Voice over Internet Protocol (VoIP) technology has dramatically risen over the past couple of years. According to the Dell'Oro Group, revenues from IP PBX's grew to \$2.1 billion in 2004 resulting in a 72 percent increase for the year. IP-enabled telephony has become a mainstream must-have for companies seek to lower costs, boost productivity and consolidate network traffic. NET SatisFAXtion IP meets the needs of forward thinking organizations by providing a carrier grade, boardless T.38 fax solution that easily integrates into established VoIP environments by using a Cisco VoIP gateway.



Why Choose a VoIP Network?

A major factor in the decision to move to an IP-based network is the significant savings it yields. By consolidating voice and data traffic on one network, the complexity associated with implementing and managing multiple networks is virtually non-existent. Analog phone lines, expensive fax boards and constant maintenance are obsolete in an IP-enabled environment utilizing the NET SatisFAXtion IP and Cisco interoperability.

A Few Words on TCO

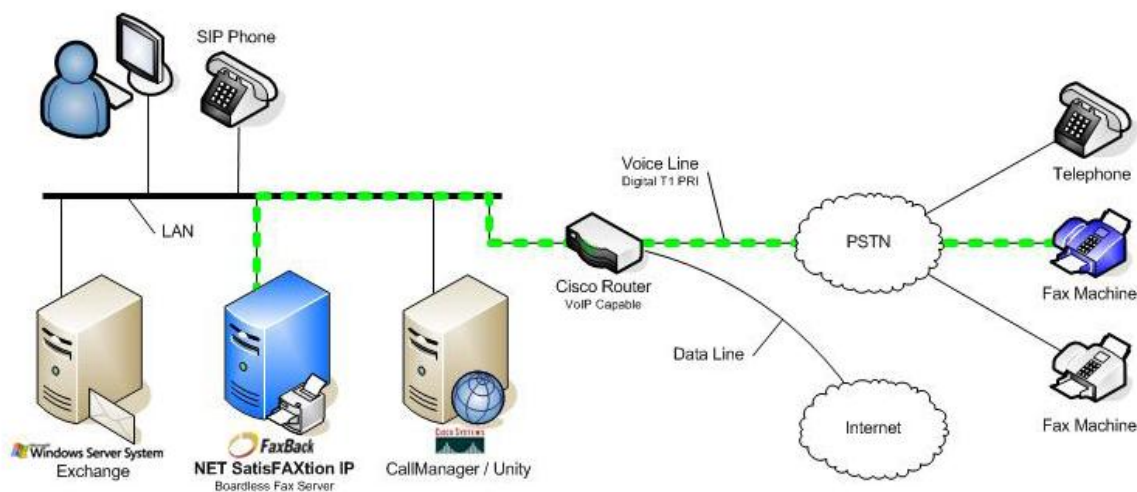
Total cost of ownership is a concern for any company, no matter what the size. NET SatisFAXtion IP offers an affordable yet robust system that when deployed with a VoIP-enabled Cisco gateway increases productivity while leveraging IT capital investments. Seamlessly integrated

production fax capabilities further extend savings by providing fully automated single to large batch processing.

A Solution that Scales to Your Needs

With NET SatisFAXtion IP you enjoy a smooth migration no matter what path you follow. The software can be implemented with an existing Cisco router, but those in a legacy PBX environment can use the software with their hardware and then transition to VoIP environment at any time. Scalable from 2 ports up to 120 ports, organizations are granted the ability to grow and change without requiring expensive replacements or modifications of the fax server and always support unlimited users. In addition, NET SatisFAXtion IP's unparalleled installation process takes only 10 minutes.

NET SatisFAXtion IP: Cisco Compatible Boardless Fax Solution



The Security of Real-Time Faxing

In addition to the minimizing operational costs, the NET SatisFAXtion IP/Cisco combination provides an effective, overall communications solution that improves efficiency and security. No more walking to the office fax machine to send or receive a fax. NET SatisFAXtion IP software fax-enables everyday business applications by allowing you to simply choose "File > Print to Fax" from within your open document. Your fax is immediately sent and real-time notifications give you the security of knowing that your message was delivered. Incoming documents can be routed to an individual's email inbox eradicating the possibility of lost and misrouted faxes that is typical with standalone fax machines.

Summing it Up

Gartner Group estimates that by the end of 2007, telephony-system manufacturers will cease development entirely of traditional or non-IP based systems. FaxBack is leading the way in T.38 fax to better serve the requirements of enterprise organizations. Whether it be a traditional, "hybrid", or an all IP-based telephony environment, NET SatisFAXtion IP offers a complete end-to-end fax solution to meet the needs of all types of implementations. With over 20 years of fax industry experience and as one of the very first fax technology companies with IP experience, customers can be confident that they have the strongest ally in successfully deploying a powerful, secure and reliable solution.

Reasons to move to a VoIP network include:

1. *Ease of use / manageability*
2. *Flexibility*
3. *Operational costs*
4. *Scalability*
5. *Network consolidation*
6. *Enable remote workers or virtual office*
7. *High volume of international calls*
8. *Regular use of video-audio, or web conferencing tools*

NET SatisFAXtion IP's Cisco Compatibility

Benefits

- Eliminates dedicated phone lines
- No fax hardware required
- No phone switch modifications
- Utilize existing Cisco Router
- Unlimited users
- Also works in legacy PBX/hybrid environments

For Resellers

- Maximize the potential of new Cisco opportunities with compatible add-on solution
- Create new business by leveraging existing customer base

Products

- NET SatisFAXtion IP
- NET SatisFAXtion Small Business
- NET SatisFAXtion Enterprise
- FAXability Broadcast
- Consensual Fax
- Fax on Demand

Solutions

- Application Integration – including Print to Fax and Address Automation
- Inbound Routing – including DID, DTMF, CSID, AIR
- Workflow/Archiving – store, forward, track and manage fax activity
- PDF – receive faxes as TIFFs or convert into a portable document format
- Production Fax – fully automated and seamlessly integrated batch faxing from any Windows application
- Broadcasting – easy scheduling and monitoring
- HIPAA and Sarbanes Oxley – meets the needs of security-minded organizations

Supports All Clients Including

- WinFax PRO™
- Microsoft Outlook™
- FAXability™
- APIs



Corporate Headquarters
7007 SW Cardinal Lane Suite 105
Portland, Oregon 97224
1.800.329.2225
info@faxback.com
www.faxback.com

REQUIREMENTS:

- A Cisco Router (1700, 1800, 2600, 2800, 3600, 3700 and 3800 series as well as the AS5300, AS5400 and AS5800 series)
- The router must have voice DSP card(s) installed and be configured as a Voice Gateway using SIP

